

Full Motion TV Mount

DTBTA200-DL



58-127cm
Screen Size



Max VESA
Size



Max Weight
Capacity



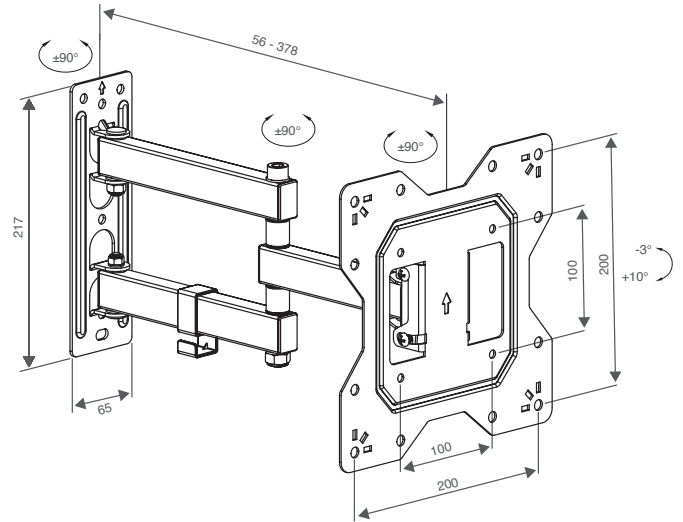
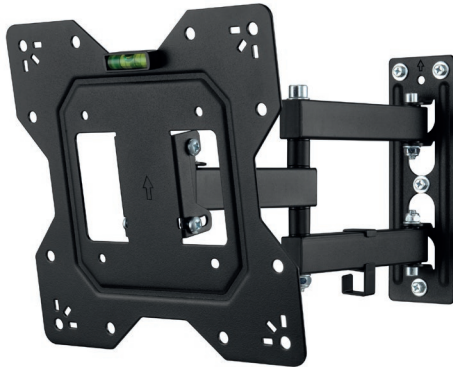
Distance from
the wall



Tilt
Range



Turn
Range



All dimensions are in mm

Features:

- Three arms for smooth and stable movement so you can see the TV from any angle
- Ideal for a media wall, or place in a corner to make the most of your space
- Adjustment in all directions, so you can get the perfect screen position
- Shaped metal plate for extra strength to reliably support your screen
- Can be used to keep the screen away from children and pets
- Confidently mount your screen with a high 30kg maximum weight limit
- Suits 23" - 50" TVs, compatible with common VESA sizes from 100x100 - 200x200
- Includes fixings for solid walls, stud walls and the TV, for convenience
- High quality steel construction with independent testing by SGS
- Reassurance of a 5 year warranty as standard



Compatible VESA Sizes

100x100
100x200
200x100
200x200

Packaging Information

Part Number	Description	Product Packaging		Outer Packaging		
		Type	Barcode	Type	Qty in box	Barcode
DTBTA200-DL	Full Motion Triple Arm TV wall mount bracket, 23 - 50"	Colour retail box	5056335606535	Brown outer with label	8	15056335606532

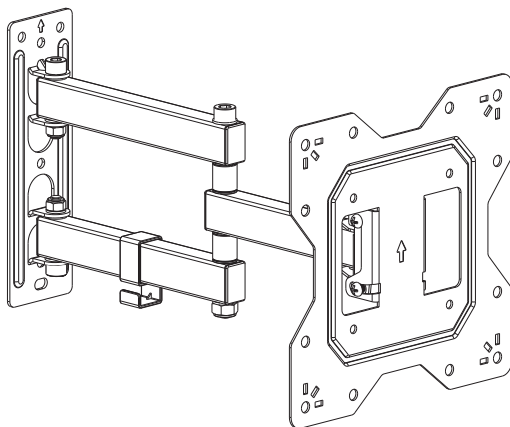
Weights & Dimensions

Product			Product Box			Outer Box		
Extended	Folded	Net Weight	Dimensions	Gross Weight	Cubic	Dimensions	Gross Weight	Cubic
23.0 x 23.0 x 37.8 cm	23.0 x 26.7 x 5.6 cm	1.65kg	23.8 x 29.5 x 6.5 cm	1.76kg	0.0046m ³	49.5 x 31.0 x 29.0cm	16.6kg	0.0445m ³
9.06" x 9.06" x 14.88"	9.06" x 10.51" x 2.2"	3.64lbs	9.37" x 11.61" x 2.56"	3.89lbs	0.1612ft ³	19.49" x 12.2" x 11.42"	36.6lbs	1.5715ft ³

Full Motion TV Wall Mount

DTBTA200-DL

Instruction Manual



- EN** Tools required
FR Outils nécessaires
ES Herramientas necesarias
PT Ferramentas necessárias
DE Benötigtes Werkzeug
IT Strumenti necessari



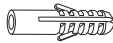
- EN** Set includes
FR Includ
ES Incluye
PT Inclui
DE Lieferumfang
IT Il set include



(x1)



W-A (x4)
ST6.3x55



W-B (x4)
Ø10x45



W-C (x4)



M-A (x4)
M6x14



M-B (x4)
M8x20

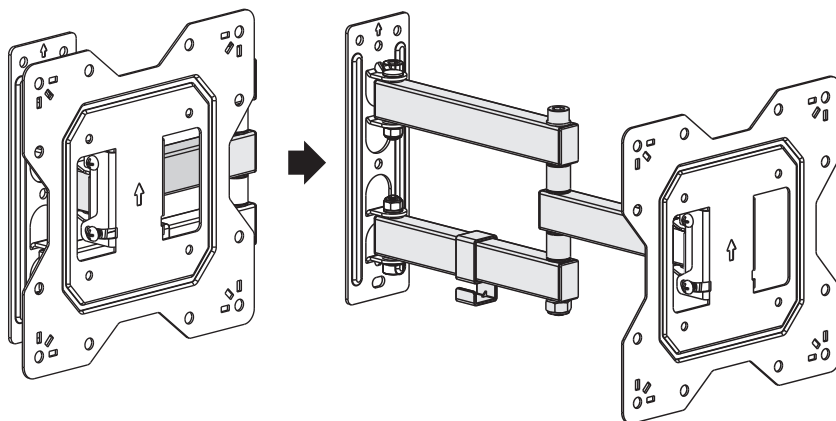


M-C (x4)

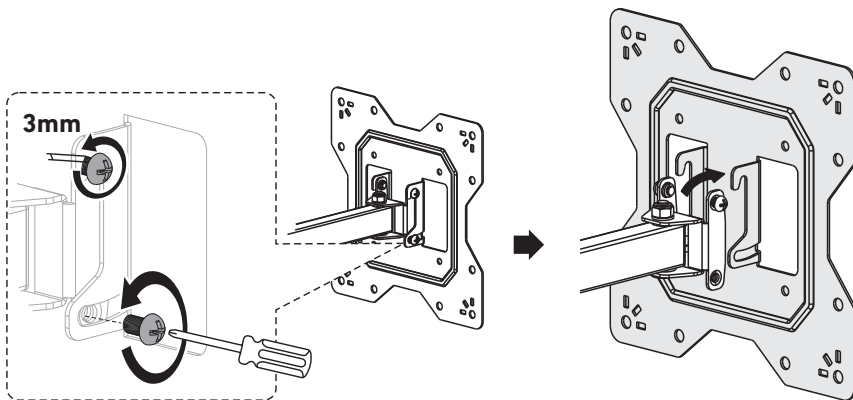
- EN** Do not overtighten screws.
FR Ne pas trop serrer les vis.
ES No apriete demasiado los tornillos.

- PT** Não apertar demasiado os parafusos.
DE Ziehen Sie die Schrauben nicht zu fest an.
IT Non serrare eccessivamente le viti.

①



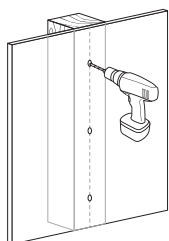
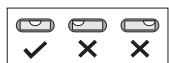
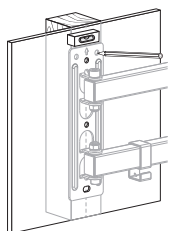
②



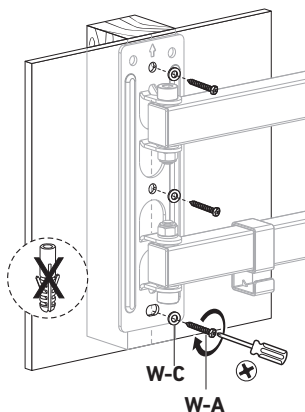
- EN** Locate studs using a stud finder. Check for pipes and cables.
- FR** Localisez les montants à l'aide d'un détecteur mural. Vérifier la présence de tuyaux et de câbles.
- ES** Localice las vigas con un detector de pared. Compruebe si hay tuberías o cables.
- PT** Localizar as vigas com um detector de paredes. Verificar a existência de tubos e cabos.
- DE** Lokalisieren Sie die Dachsparren mit einem Wanddetektor.
Überprüfen Sie das Vorhandensein von Rohren und Kabeln.
- IT** Individuare le travi con un rilevatore a parete. Verificare la presenza di tubi e cavi.



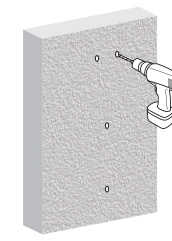
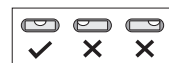
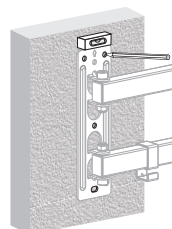
3a Stud wall



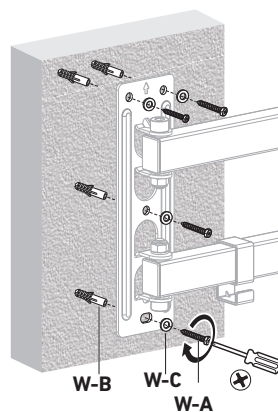
55mm (2.2") **Ø4.5mm** (Ø 3/16")



3b Solid wall

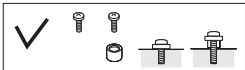


60mm (2.4") **Ø10mm** (Ø 3/8")

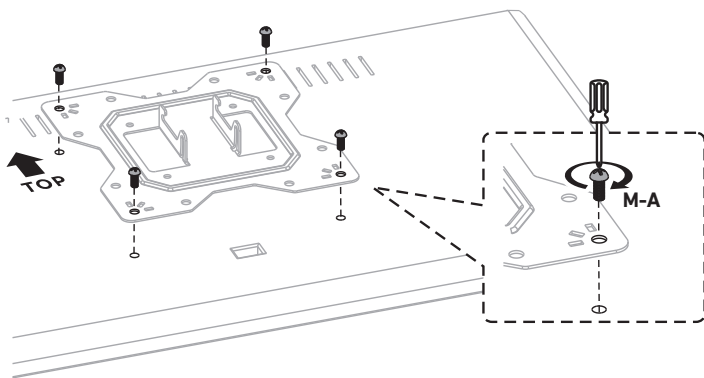


OR

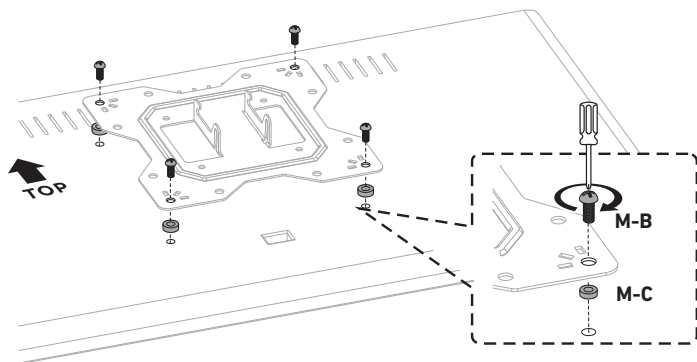
4



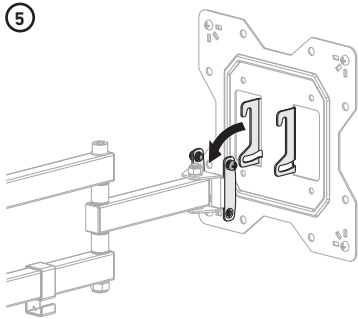
✗ Too long Too short



OR



5



6

