

Variable Tilt TV Mount

DTBT600-DL



127-216cm
Screen Size



Max VESA
Size



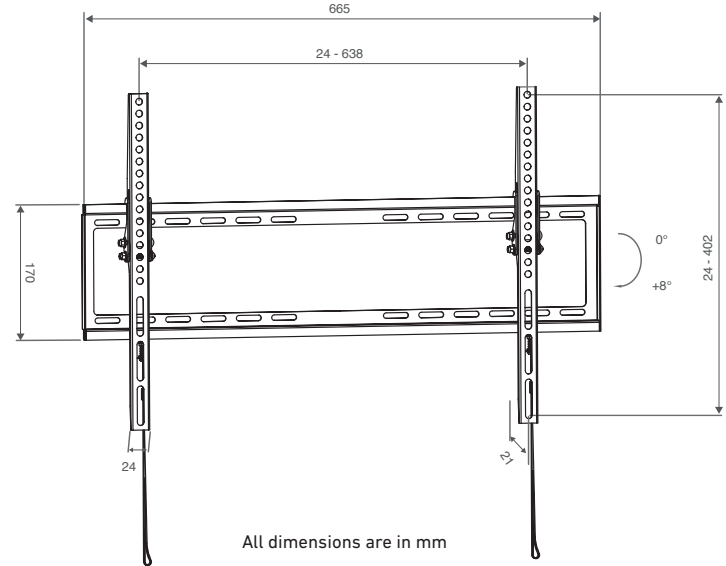
Max Weight
Capacity



Distance from
the wall



Tilt
Range



Features:

- Low-profile design for a clean modern look
- Variable tilt adjustment with just your fingertips to change angle and reduce glare
- Large wall plate gives you more screw locations to make installation easier
- Pull cord locks secure the TV for peace of mind and can be quickly released
- Save space in your room and keep the TV away from children and pets
- Confidently mount your screen with a high 50kg maximum weight limit
- Suits 50" - 85" TVs, compatible with common VESA sizes from 200x200 - 600x400
- Includes fixings for solid walls, stud walls and the TV, for convenience
- High quality steel construction with independent testing by SGS
- Reassurance of a 5 year warranty as standard



Compatible VESA Sizes

200x200	300x200	400x200	600x400
	300x300	400x300	
		400x400	

Packaging Information

Part Number	Description	Product Packaging		Outer Packaging		
		Type	Barcode	Type	Qty in box	Barcode
DTBT600-DL	Variable Tilt TV wall mount bracket, 50 - 85"	Colour retail box	5056335606474	Brown outer with label	10	15056335606471

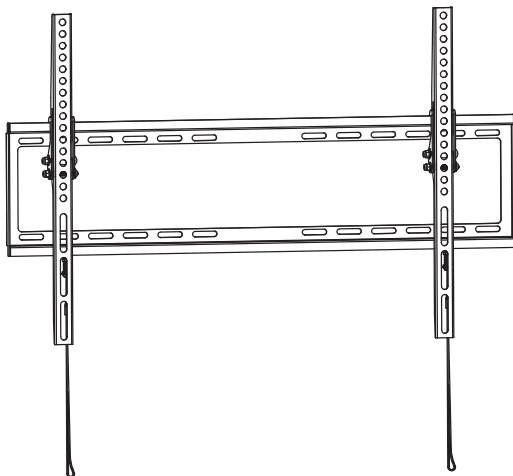
Weights & Dimensions

Product			Product Box			Outer Box		
Extended	Folded	Net Weight	Dimensions	Gross Weight	Cubic	Dimensions	Gross Weight	Cubic
42.2 x 66.5 x 2.1 cm	n/a	1.22kg	17.5 x 67.0 x 2.5 cm	1.35kg	0.0029m ³	69.0 x 28.0 x 19.5cm	14.7kg	0.0377m ³
16.61" x 26.18" x 0.81"	n/a	2.69lbs	6.89" x 26.38" x 0.98"	2.98lbs	0.1035ft ³	27.17" x 11.02" x 7.68"	32.4lbs	1.3304ft ³

Variable Tilt TV Wall Mount

DTBT600-DL

Instruction Manual



EN Tools required
FR Outils nécessaires
ES Herramientas necesarias
PT Ferramentas necessárias
DE Benötigtes Werkzeug
IT Strumenti necessari



EN Set includes

FR Inclut
ES Incluye
PT Inclui
DE Lieferumfang
IT Il set include



(x1)



W-A (x4)
ST6.3x55



W-B (x4)
Ø10x45



W-C (x4)
D6



M-A (x4)
M4x14



M-B (x4)
M5x14



M-C (x4)
M6x14



M-D (x4)
M8x15



M-E (x4)
D5



M-F (x4)
D8

EN Do not overtighten screws.
FR Ne pas trop serrer les vis.
ES No apriete demasiado los tornillos.

PT Não apertar demasiado os parafusos.
DE Ziehen Sie die Schrauben nicht zu fest an.
IT Non serrare eccessivamente le viti.

EN Locate studs using a stud finder. Check for pipes and cables.

FR Localisez les montants à l'aide d'un détecteur mural. Vérifier la présence de tuyaux et de câbles.

ES Localice las vigas con un detector de pared. Compruebe si hay tuberías o cables.

PT Localizar as vigas com um detector de paredes. Verificar a existência de tubos e cabos.

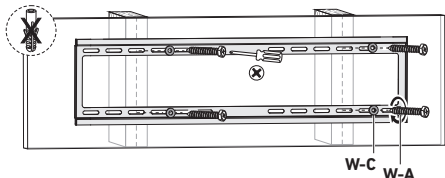
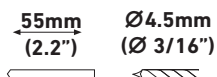
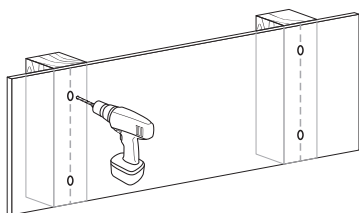
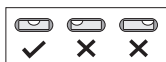
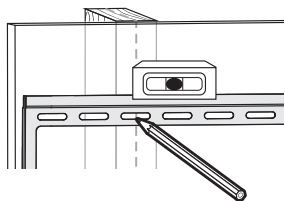
DE Lokalisieren Sie die Dachsparren mit einem Wanddetektor.

Überprüfen Sie das Vorhandensein von Rohren und Kabeln.

IT Individuare le travi con un rilevatore a parete. Verificare la presenza di tubi e cavi.

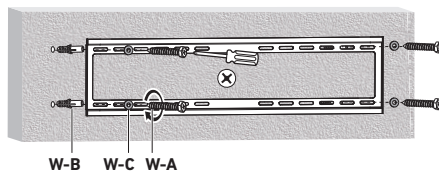
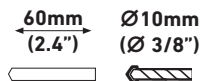
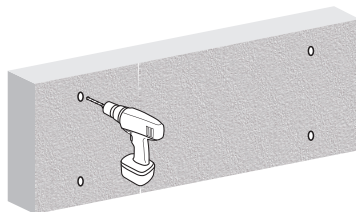
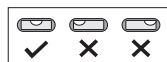
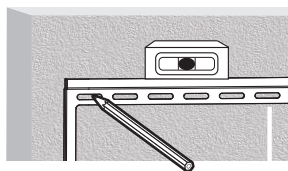


1a Stud wall



1b Solid wall

OR



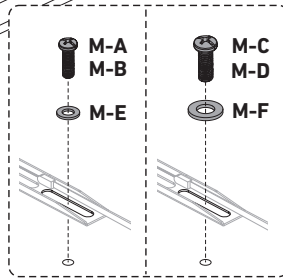
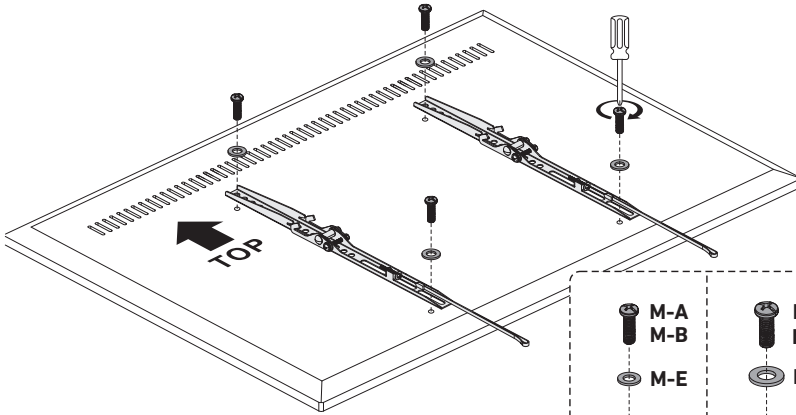
2



Too long



Too short



3

