

# Tilt & Turn TV Mount

DTBST200-DL



58-127cm  
Screen Size



Max VESA  
Size



Max Weight  
Capacity



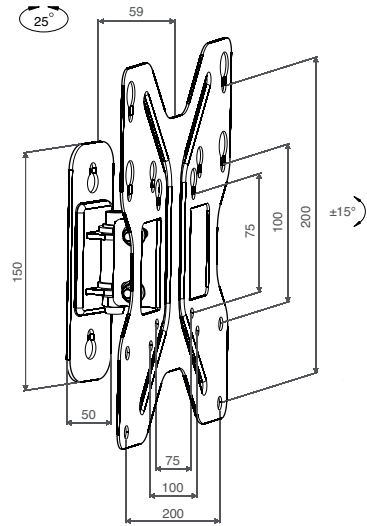
Distance from  
the wall



Tilt  
Range



Turn  
Range



All dimensions are in mm

## Features:

- Tilt and Turn adjustment to reduce glare and get the perfect viewing angle
- Compact design to save space in your room, just 59mm (2.3") deep
- Slide on installation makes mounting the TV simpler and faster
- Shaped metal plate for extra strength to reliably support your screen
- Can be used to keep the screen away from children and pets
- Confidently mount your screen with a high 30kg maximum weight limit
- Suits 23" - 50" TVs, compatible with common VESA sizes from 75x75 - 200x200
- Includes fixings for solid walls, stud walls and the TV, for convenience
- High quality steel construction with independent testing by SGS
- Reassurance of a 5 year warranty as standard



### Compatible VESA Sizes

- 75x75
- 100x100
- 200x100
- 200x200

## Packaging Information

Part Number	Description	Product Packaging		Outer Packaging		
		Type	Barcode	Type	Qty in box	Barcode
DTBST200-DL	Tilt & Turn TV wall mount bracket, 23 - 50"	Colour retail box	5056335606481	Brown outer with label	12	15056335606488

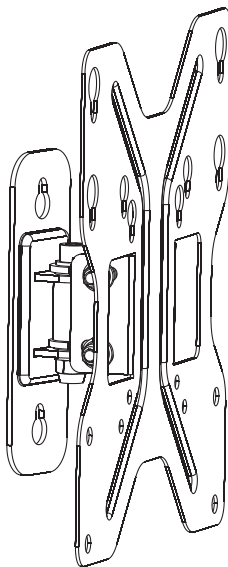
## Weights & Dimensions

Product			Product Box			Outer Box		
Extended	Folded	Net Weight	Dimensions	Gross Weight	Cubic	Dimensions	Gross Weight	Cubic
24.0 x 23.0 x 5.9 cm	n/a	0.86kg	24.0 x 26.0 x 7.5 cm	1.02kg	0.0047m <sup>3</sup>	50.0 x 47.5 x 27.5cm	16.5kg	0.0653m <sup>3</sup>
9.45" x 9.06" x 2.32"	n/a	1.9lbs	9.45" x 10.24" x 2.95"	2.24lbs	0.1653ft <sup>3</sup>	19.69" x 18.7" x 10.83"	36.4lbs	2.3065ft <sup>3</sup>

# Tilt & Turn TV Mount

DTBST200-DL

## Instruction Manual



**EN** Tools required

**FR** Outils nécessaires

**ES** Herramientas necesarias

**PT** Ferramentas necessárias

**DE** Benötigtes Werkzeug

**IT** Strumenti necessari



**EN** Set includes

**FR** Inclut

**ES** Incluye

**PT** Inclui

**DE** Lieferumfang

**IT** Il set include



(x1)



(x1)



(x1)



**W-A (x2)**  
ST6.3x55



**W-B (x2)**  
Ø10x45



**M-A (x4)**  
M4x14



**M-B (x4)**  
M5x14



**M-C (x4)**  
M6x14



**M-D (x4)**  
M8x20



**M-E (x2)**  
D5



**M-F (x2)**  
D8



**M-G (x8)**

**EN** Do not overtighten screws.

**FR** Ne pas trop serrer les vis.

**ES** No apriete demasiado los tornillos.

**PT** Não apertar demasiado os parafusos.

**DE** Ziehen Sie die Schrauben nicht zu fest an.

**IT** Non serrare eccessivamente le viti.

**EN** Locate studs using a stud finder. Check for pipes and cables.

**FR** Localisez les montants à l'aide d'un détecteur mural. Vérifier la présence de tuyaux et de câbles.

**ES** Localice las vigas con un detector de pared. Compruebe si hay tuberías o cables.

**PT** Localizar as vigas com um detector de paredes. Verificar a existência de tubos e cabos.

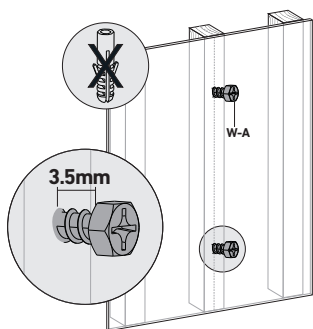
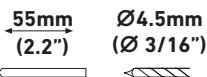
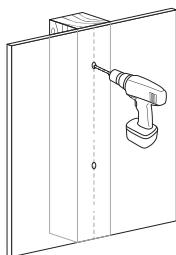
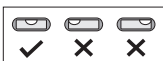
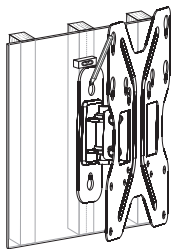
**DE** Lokalisieren Sie die Dachsparren mit einem Wanddetektor.

Überprüfen Sie das Vorhandensein von Rohren und Kabeln.

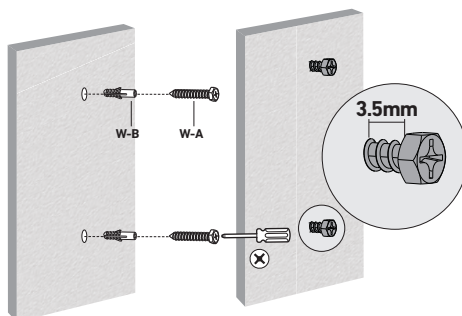
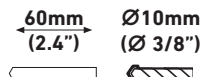
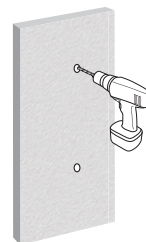
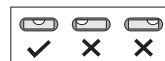
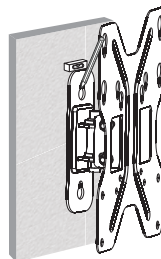
**IT** Individuare le travi con un rilevatore a parete. Verificare la presenza di tubi e cavi.



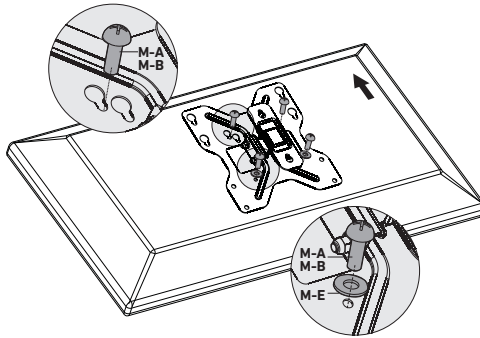
**1a) Stud wall**



**1b) Solid wall**

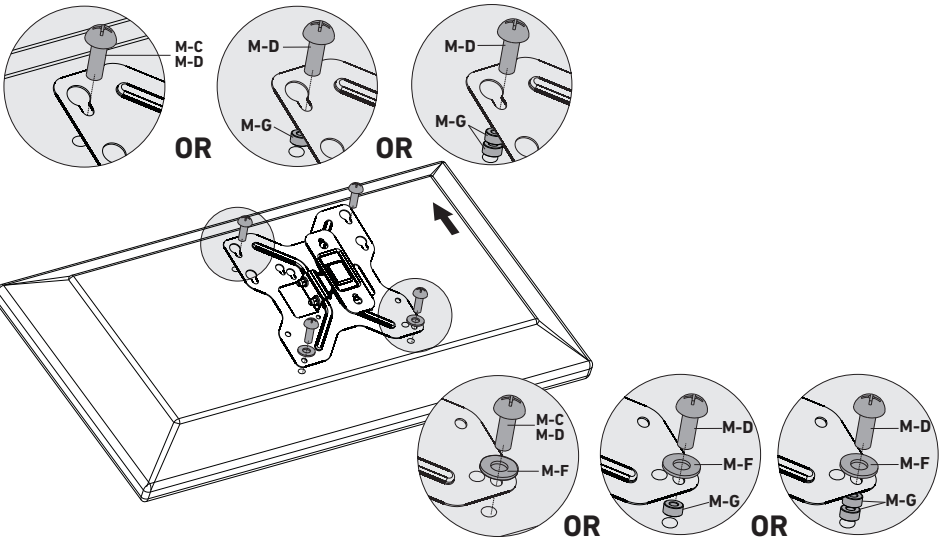


2a VESA: 75x75 100x100

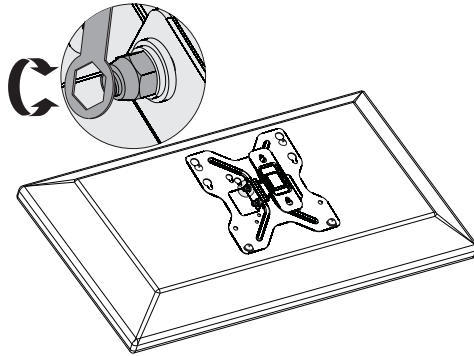


OR

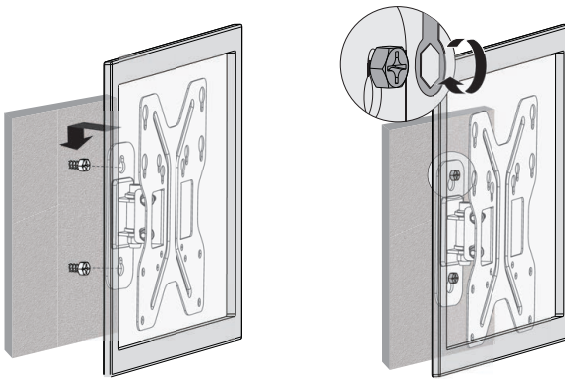
2b VESA: 200x100 200x200



3



4



5

