

Tilt & Turn TV Mount

DTBSA200-DL



58-127cm
Screen Size



Max VESA
Size



Max Weight
Capacity



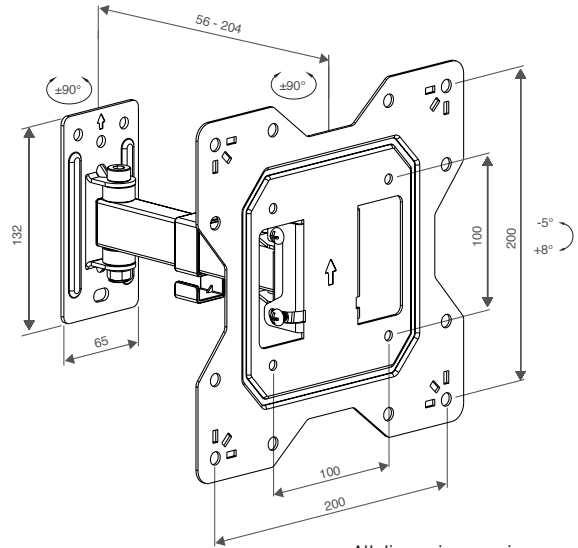
56-204mm
Distance from
the wall



+8° / -5°
Tilt
Range



+/-90°
Turn
Range



All dimensions are in mm

Features:

- Single arm gives more viewing angles, so the TV can turn to face the viewer
- Tilt adjustment reduces glare and allows you to get the perfect view
- Shaped metal plate for extra strength to reliably support your screen
- Includes a cable management clip to help keep cables tidy
- Save space in your room and keep the TV away from children and pets
- Confidently mount your screen with a high 30kg maximum weight limit
- Suits 23" - 50" TVs, compatible with common VESA sizes from 100x100 - 200x200
- Includes fixings for solid walls, stud walls and the TV, for convenience
- High quality steel construction with independent testing by SGS
- Reassurance of a 5 year warranty as standard



Compatible VESA Sizes

- 100x100
- 100x200
- 200x100
- 200x200

Packaging Information

Part Number	Description	Product Packaging		Outer Packaging		
		Type	Barcode	Type	Qty in box	Barcode
DTBSA200-DL	Single Arm TV wall mount bracket, 23 - 50"	Colour retail box	5056335606504	Brown outer with label	10	15056335606501

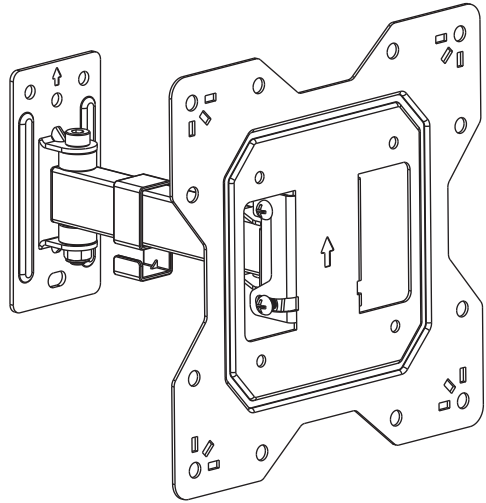
Weights & Dimensions

Product			Product Box			Outer Box		
Extended	Folded	Net Weight	Dimensions	Gross Weight	Cubic	Dimensions	Gross Weight	Cubic
23.0 x 23.0 x 20.4 cm	23.0 x 28.9 x 5.6 cm	1.04kg	23.8 x 31.5 x 5.7 cm	1.14kg	0.0043m ³	49.5 x 33.0 x 31.5cm	14.6kg	0.0515m ³
9.06" x 9.06" x 8.03"	9.06" x 11.38" x 2.2"	2.29lbs	9.37" x 12.4" x 2.24"	2.51lbs	0.1509ft ³	19.49" x 12.99" x 12.4"	32.2lbs	1.8171ft ³

Tilt & Turn TV Wall Mount

DTBSA200-DL

Instruction Manual



EN Tools required
FR Outils nécessaires
ES Herramientas necesarias
PT Ferramentas necessárias
DE Benötigtes Werkzeug
IT Strumenti necessari



EN Set includes

FR Inclut

ES Incluye

PT Inclui

DE Lieferumfang

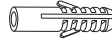
IT Il set include



(x1)



W-A (x3)
ST6.3x55



W-B (x3)
Ø10x45



W-C (x3)



M-A (x4)
M6x14



M-B (x4)
M8x20



M-C (x4)

EN Do not overtighten screws.

FR Ne pas trop serrer les vis.

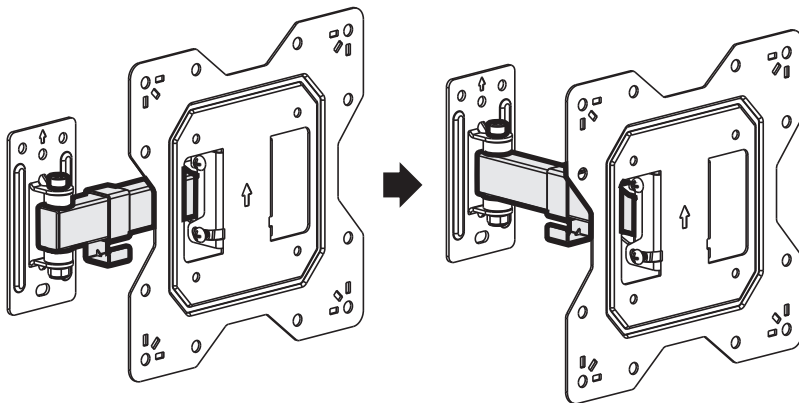
ES No apriete demasiado los tornillos.

PT Não apertar demasiado os parafusos.

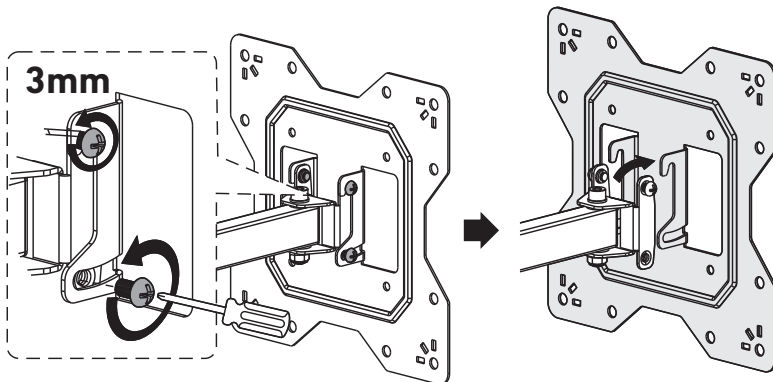
DE Ziehen Sie die Schrauben nicht zu fest an.

IT Non serrare eccessivamente le viti.

①



②



EN Locate studs using a stud finder. Check for pipes and cables.

FR Localisez les montants à l'aide d'un détecteur mural. Vérifier la présence de tuyaux et de câbles.

ES Localice las vigas con un detector de pared. Compruebe si hay tuberías o cables.

PT Localizar as vigas com um detector de paredes. Verificar a existência de tubos e cabos.

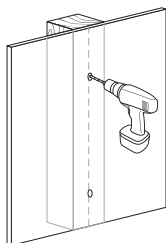
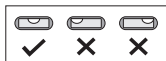
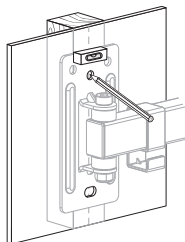
DE Lokalisieren Sie die Dachsparren mit einem Wanddetektor.

Überprüfen Sie das Vorhandensein von Rohren und Kabeln.

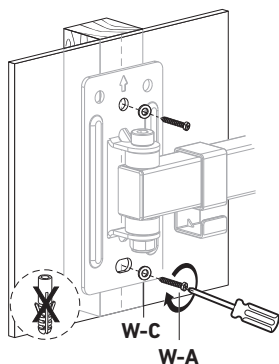
IT Individuare le travi con un rilevatore a parete. Verificare la presenza di tubi e cavi.



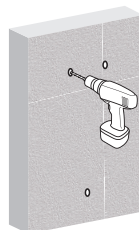
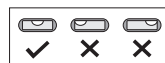
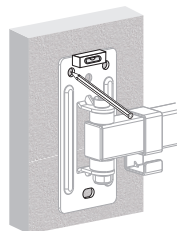
3a Stud wall



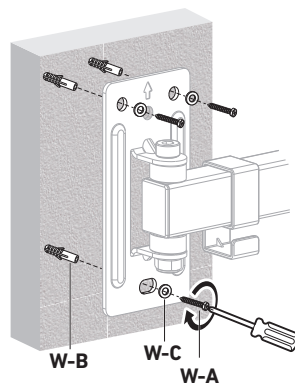
55mm (2.2") **Ø4.5mm** (Ø 3/16")



3b Solid wall

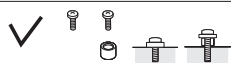


60mm (2.4") **Ø10mm** (Ø 3/8")

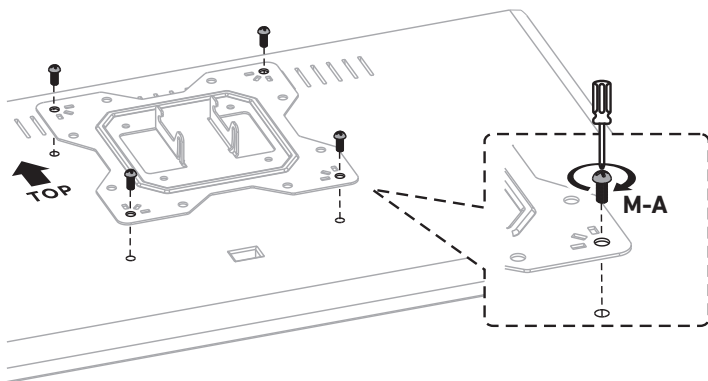


OR

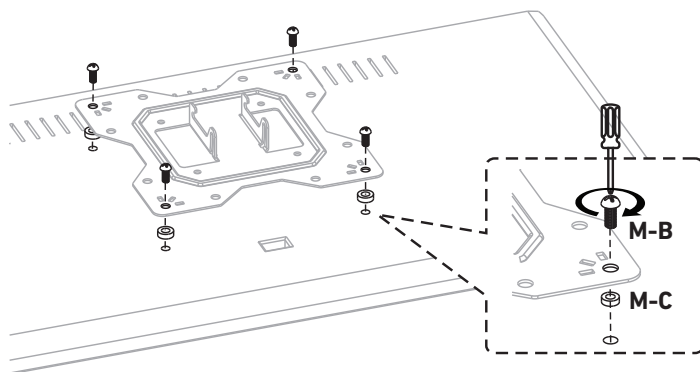
4



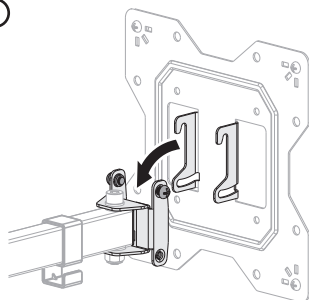
✗ Too long Too short



OR



5



6

