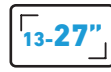


# Tilt & Turn TV Mount

DTBSA100-DL



33-69cm  
Screen Size



Max VESA  
Size



Max Weight  
Capacity



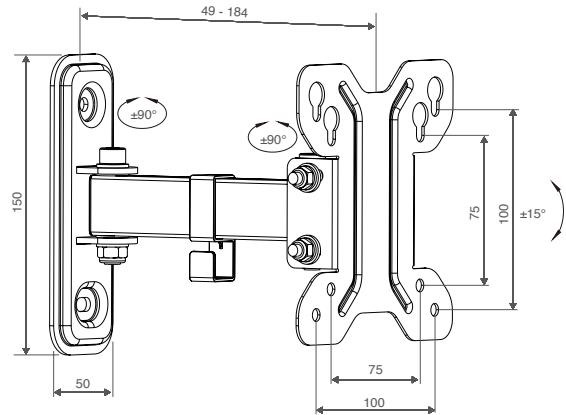
49-184mm  
Distance from  
the wall



$\pm 15^\circ$   
Tilt  
Range



$\pm 90^\circ$   
Turn  
Range



All dimensions are in mm

## Features:

- Single arm gives more viewing angles, so the TV can turn to face the viewer
- Tilt adjustment reduces glare and allows you to get the perfect view
- Slide on installation makes mounting the TV simpler and faster
- Includes a cable management clip to help keep cables tidy
- Save space in your room and keep the TV away from children and pets
- Confidently mount your screen with a high 25kg maximum weight limit
- Suits 13" - 27" TVs, compatible with common VESA sizes 75x75 and 100x100
- Includes fixings for solid walls, stud walls and the TV, for convenience
- High quality steel construction with independent testing by SGS
- Reassurance of a 5 year warranty as standard



Compatible VESA Sizes

75x75  
100x100

## Packaging Information

Part Number	Description	Product Packaging		Outer Packaging		
		Type	Barcode	Type	Qty in box	Barcode
DTBSA100-DL	Single Arm TV wall mount bracket, 13 - 27"	Colour retail box	5056335606498	Brown outer with label	10	15056335606495

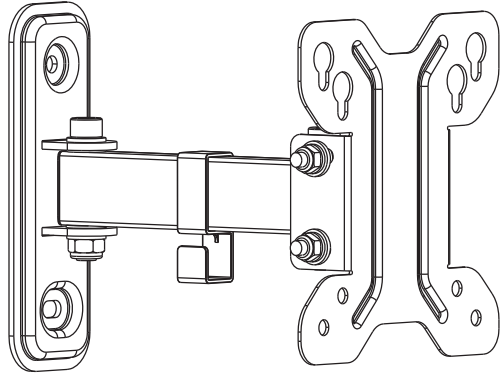
## Weights & Dimensions

Product			Product Box			Outer Box		
Extended	Folded	Net Weight	Dimensions	Gross Weight	Cubic	Dimensions	Gross Weight	Cubic
15.0 x 13.0 x 18.4 cm	15.0 x 21.4 x 4.9 cm	0.76kg	15.5 x 23.0 x 7.3 cm	0.88kg	0.0026m <sup>3</sup>	38.7 x 32.5 x 24.5cm	10.0kg	0.0308m <sup>3</sup>
5.91" x 5.12" x 7.24"	5.91" x 8.43" x 1.93"	1.68lbs	6.1" x 9.06" x 2.87"	1.94lbs	0.0919ft <sup>3</sup>	15.24" x 12.8" x 9.65"	22.1lbs	1.0882ft <sup>3</sup>

# Tilt & Turn TV Wall Mount

DTBSA100-DL

## Instruction Manual



**EN** Tools required  
**FR** Outils nécessaires  
**ES** Herramientas necesarias  
**PT** Ferramentas necessárias  
**DE** Benötigtes Werkzeug  
**IT** Strumenti necessari

**EN** Set includes**FR** Inclut**ES** Incluye**PT** Inclui**DE** Lieferumfang**IT** Il set include**(x1)****(x1)****(x1)****W-A (x2)**  
ST6.3x55**W-B (x2)**  
Ø10x45**W-C (x2)****M-A (x4)**  
M4x14**M-B (x4)**  
M5x14**M-C (x2)**

**EN** Do not overtighten screws.  
**FR** Ne pas trop serrer les vis.  
**ES** No apriete demasiado los tornillos.

**PT** Não apertar demasiado os parafusos.  
**DE** Ziehen Sie die Schrauben nicht zu fest an.  
**IT** Non serrare eccessivamente le viti.

**EN** Locate studs using a stud finder. Check for pipes and cables.

**FR** Localisez les montants à l'aide d'un détecteur mural. Vérifier la présence de tuyaux et de câbles.

**ES** Localice las vigas con un detector de pared. Compruebe si hay tuberías o cables.

**PT** Localizar as vigas com um detector de paredes. Verificar a existência de tubos e cabos.

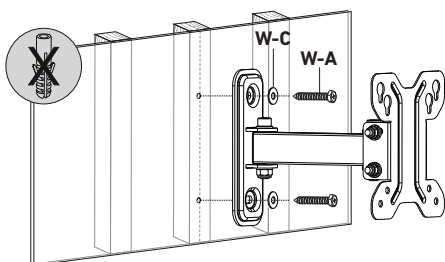
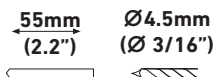
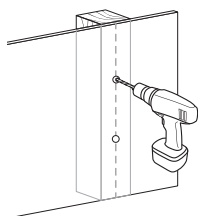
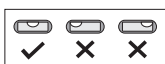
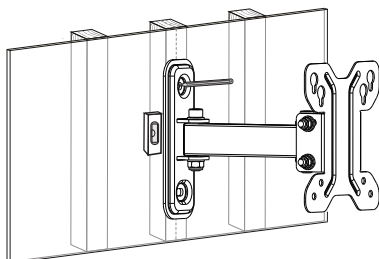
**DE** Lokalisieren Sie die Dachsparren mit einem Wanddetektor.

Überprüfen Sie das Vorhandensein von Rohren und Kabeln.

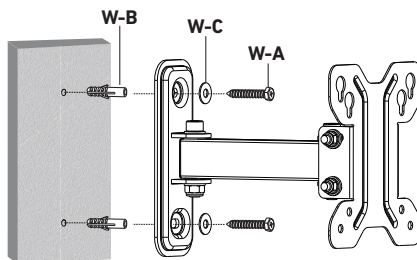
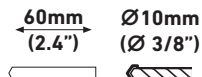
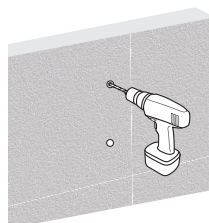
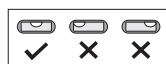
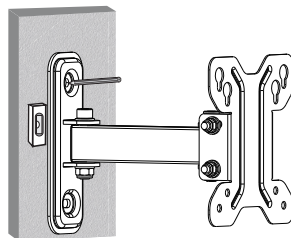
**IT** Individuare le travi con un rilevatore a parete. Verificare la presenza di tubi e cavi.



**1a Stud wall**



**1b Solid wall**



2

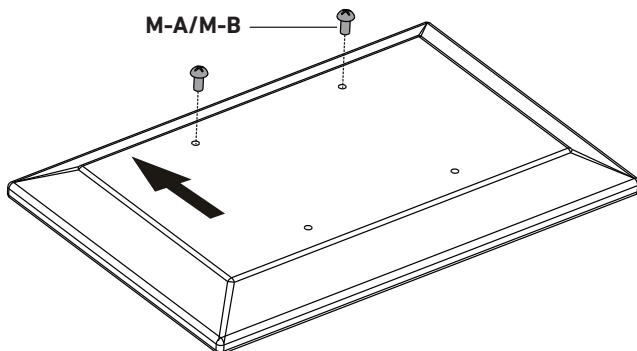
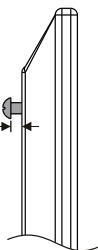


✗ Too long

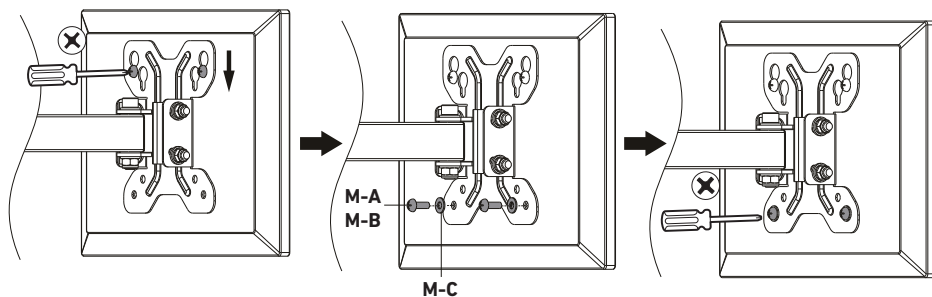
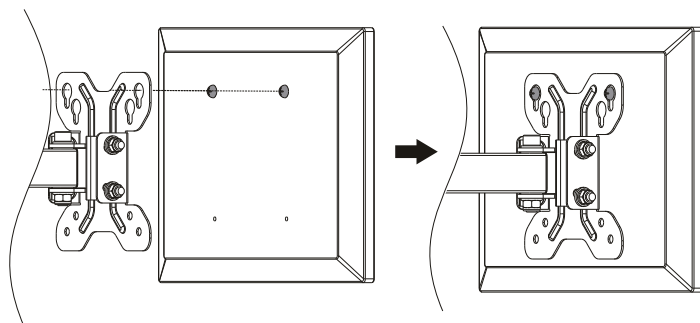
✗ Too short



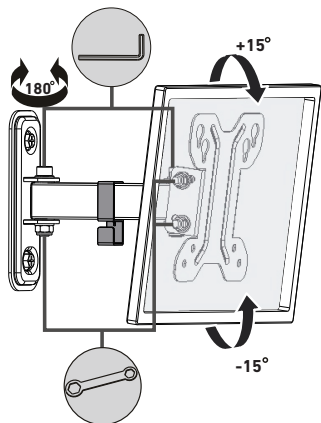
2mm



3



4



5

