

# Full Motion TV Mount

DTBRTA600-DL



127-216cm  
Screen Size



Max VESA  
Size



Max Weight  
Capacity



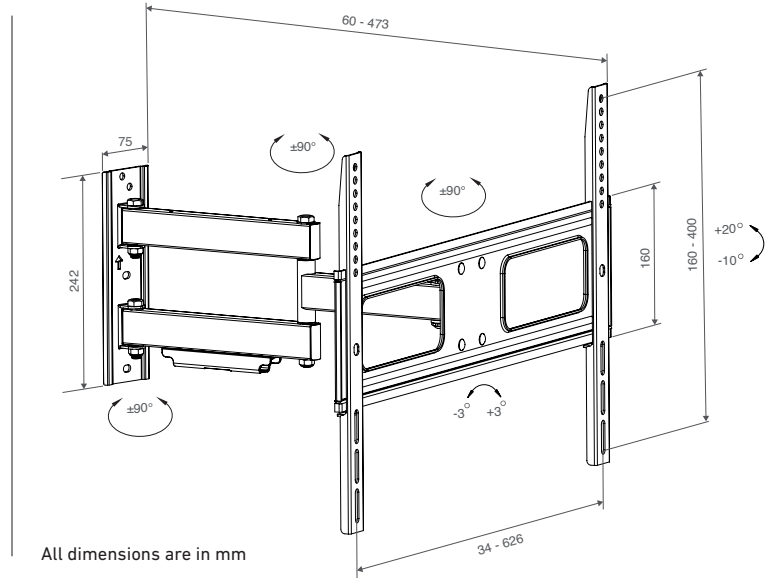
Distance from  
the wall



Tilt  
Range



Turn  
Range



All dimensions are in mm

## Features:

- Three arms for smooth and stable movement so you can see the TV from any angle
- Adjustment in all directions, for the most comfortable screen position
- Ideal for a media wall, or place in a corner to make the most of your space
- Easy hook-on installation is simple to follow and includes cable management
- +/-3° of level adjustment after installation, for a perfectly level finish
- Confidently mount your screen with a high 50kg maximum weight limit
- Suits 50" - 85" TVs, compatible with common VESA sizes from 200x200 - 600x400
- Includes fixings for solid walls, stud walls and the TV, for convenience
- High quality steel construction with independent testing by SGS
- Reassurance of a 5 year warranty as standard



### Compatible VESA Sizes

200x200	300x200	400x200	600x400
	300x300	400x300	
		400x400	

## Packaging Information

Part Number	Description	Product Packaging		Outer Packaging		
		Type	Barcode	Type	Qty in box	Barcode
DTBRTA600-DL	Full Motion Triple Arm TV wall mount bracket, 50 - 85"	Colour retail box	5056335606559	Brown outer with label	3	15056335606556

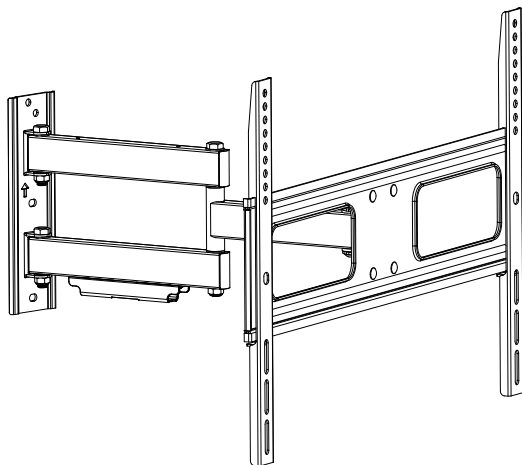
## Weights & Dimensions

Product			Product Box			Outer Box		
Extended	Folded	Net Weight	Dimensions	Gross Weight	Cubic	Dimensions	Gross Weight	Cubic
43.0 x 66.0 x 47.3 cm	43.0 x 66.0 x 6.0 cm	3.76kg	27.0 x 70.0 x 6.5 cm	3.97kg	0.0123m <sup>3</sup>	72.0 x 29.0 x 21.5cm	14.7kg	0.0449m <sup>3</sup>
16.93" x 25.98" x 18.62"	16.93" x 25.98" x 2.36"	8.29lbs	10.63" x 27.56" x 2.56"	8.75lbs	0.4338ft <sup>3</sup>	28.35" x 11.42" x 8.46"	32.4lbs	1.5853ft <sup>3</sup>

# Full Motion TV Wall Mount

DTBRTA600-DL

## Instruction Manual



**EN** Tools required  
**FR** Outils nécessaires  
**ES** Herramientas necesarias  
**PT** Ferramentas necessárias  
**DE** Benötigtes Werkzeug  
**IT** Strumenti necessari



**EN** Set includes  
**FR** Includ  
**ES** Incluye  
**PT** Inclui  
**DE** Lieferumfang  
**IT** Il set include



(x1)



(x1)



**W-A (x4)**  
ST6.3x55



**W-B (x4)**  
Ø10x45



**W-C (x4)**



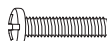
**M-A (x4)**  
M6x14



**M-B (x4)**  
M8x16



**M-C (x4)**  
M6x30



**M-D (x4)**  
M8x35



**M-E (x4)**  
D8



**M-F (x4)**  
5mm



**M-G (x4)**  
15mm

**EN** Do not overtighten screws.  
**FR** Ne pas trop serrer les vis.  
**ES** No apriete demasiado los tornillos.

**PT** Não apertar demasiado os parafusos.  
**DE** Ziehen Sie die Schrauben nicht zu fest an.  
**IT** Non serrare eccessivamente le viti.

**EN** Locate studs using a stud finder. Check for pipes and cables.

**FR** Localisez les montants à l'aide d'un détecteur mural. Vérifier la présence de tuyaux et de câbles.

**ES** Localice las vigas con un detector de pared. Compruebe si hay tuberías o cables.

**PT** Localizar as vigas com um detector de paredes. Verificar a existência de tubos e cabos.

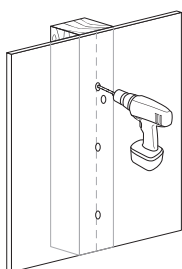
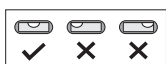
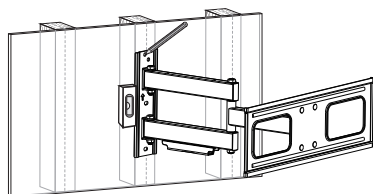
**DE** Lokalisieren Sie die Dachsparren mit einem Wanddetektor.

Überprüfen Sie das Vorhandensein von Rohren und Kabeln.

**IT** Individuare le travi con un rilevatore a parete. Verificare la presenza di tubi e cavi.



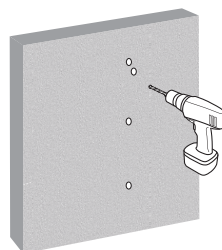
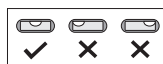
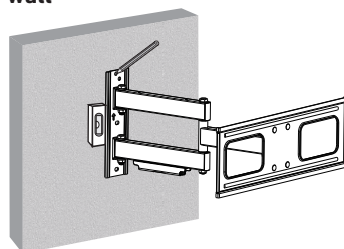
**1a) Stud wall**



55mm (2.2")    Ø4.5mm (Ø 3/16")



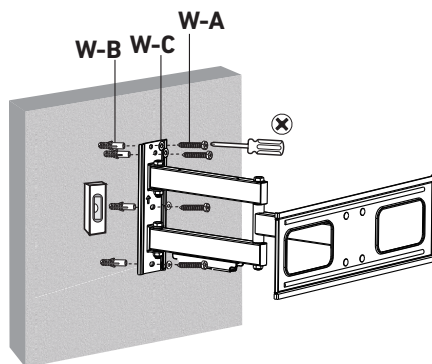
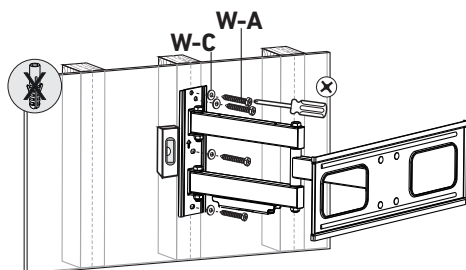
**1b) Solid wall**



60mm (2.4")    Ø10mm (Ø 3/8")



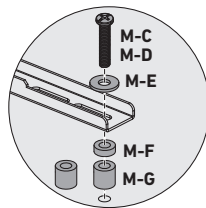
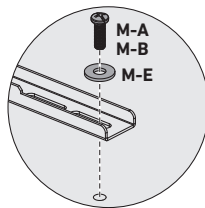
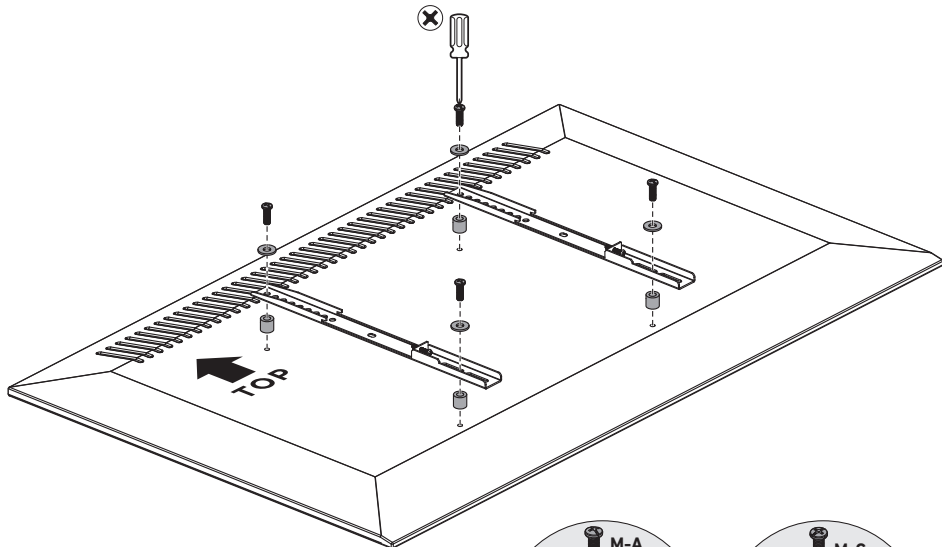
**OR**



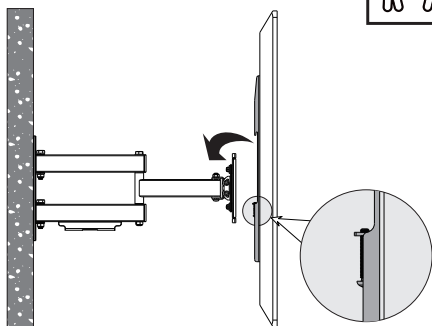
2



✗ Too long Too short



3



4

