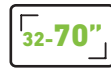


Full Motion TV Mount

DTBRTA400-DL



81-178cm
Screen Size



Max VESA
Size



Max Weight
Capacity



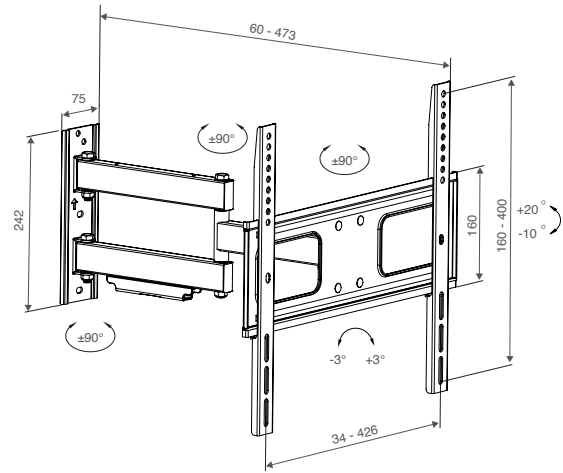
Distance from
the wall



Tilt
Range



Turn
Range



All dimensions are in mm

Features:

- Three arms for smooth and stable movement so you can see the TV from any angle
- Adjustment in all directions, for the most comfortable screen position
- Ideal for a media wall, or place in a corner to make the most of your space
- Easy hook-on installation is simple to follow and includes cable management
- +/-3° of level adjustment after installation, for a perfectly level finish
- Confidently mount your screen with a high 50kg maximum weight limit
- Suits 32" - 70" TVs, compatible with common VESA sizes from 200x200 - 400x400
- Includes fixings for solid walls, stud walls and the TV, for convenience
- High quality steel construction with independent testing by SGS
- Reassurance of a 5 year warranty as standard



Compatible VESA Sizes

200x200	300x200	400x200
	300x300	400x300
		400x400

Packaging Information

Part Number	Description	Product Packaging		Outer Packaging		
		Type	Barcode	Type	Qty in box	Barcode
DTBRTA400-DL	Full Motion Triple Arm TV wall mount bracket, 32 - 70"	Colour retail box	5056335606542	Brown outer with label	4	15056335606549

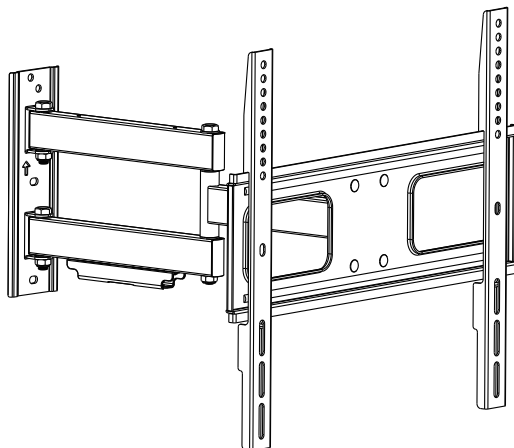
Weights & Dimensions

Product			Product Box			Outer Box		
Extended	Folded	Net Weight	Dimensions	Gross Weight	Cubic	Dimensions	Gross Weight	Cubic
43.0 x 48.0 x 47.3 cm	43.0 x 48.0 x 6.0 cm	3.52kg	27.0 x 52.0 x 6.5 cm	3.68kg	0.0091m ³	54.0 x 28.5 x 28.5cm	17.5kg	0.0439m ³
16.93" x 18.9" x 18.62"	16.93" x 18.9" x 2.36"	7.76lbs	10.63" x 20.47" x 2.56"	8.1lbs	0.3223ft ³	21.26" x 11.22" x 11.22"	38.6lbs	1.5490ft ³

Full Motion TV Wall Mount

DTBRTA400-DL

Instruction Manual



EN Tools required
FR Outils nécessaires
ES Herramientas necesarias
PT Ferramentas necessárias
DE Benötigtes Werkzeug
IT Strumenti necessari



EN Set includes
FR Includ
ES Incluye
PT Inclui
DE Lieferumfang
IT Il set include



(x1)



(x1)



W-A (x4)
ST6.3x55



W-B (x4)
Ø10x45



W-C (x4)



M-A (x4)
M6x14



M-B (x4)
M8x16



M-C (x4)
M6x30



M-D (x4)
M8x35



M-E (x4)
D8



M-F (x4)
5mm



M-G (x4)
15mm

EN Do not overtighten screws.
FR Ne pas trop serrer les vis.
ES No apriete demasiado los tornillos.

PT Não apertar demasiado os parafusos.
DE Ziehen Sie die Schrauben nicht zu fest an.
IT Non serrare eccessivamente le viti.

EN Locate studs using a stud finder. Check for pipes and cables.

FR Localisez les montants à l'aide d'un détecteur mural. Vérifier la présence de tuyaux et de câbles.

ES Localice las vigas con un detector de pared. Compruebe si hay tuberías o cables.

PT Localizar as vigas com um detector de paredes. Verificar a existência de tubos e cabos.

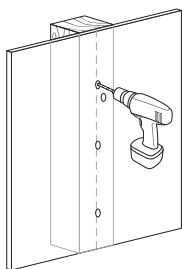
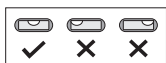
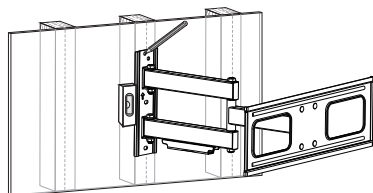
DE Lokalisieren Sie die Dachsparren mit einem Wanddetektor.

Überprüfen Sie das Vorhandensein von Rohren und Kabeln.

IT Individuare le travi con un rilevatore a parete. Verificare la presenza di tubi e cavi.



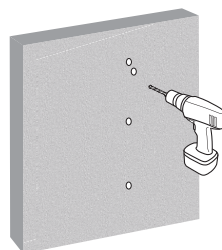
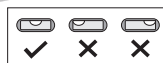
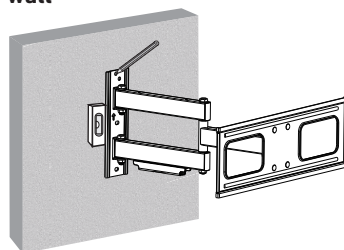
1a Stud wall



55mm (2.2") Ø4.5mm (Ø 3/16")



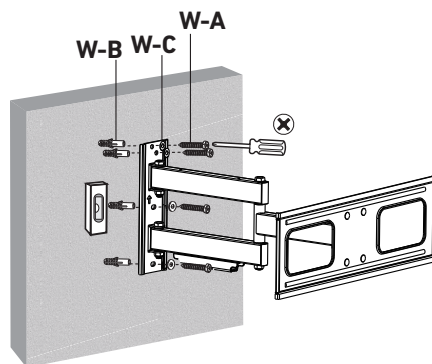
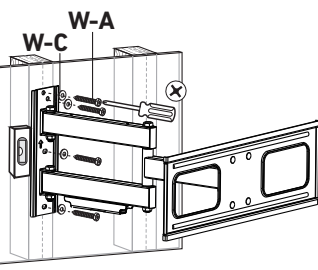
1b Solid wall



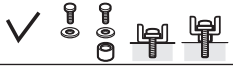
60mm (2.4") Ø10mm (Ø 3/8")



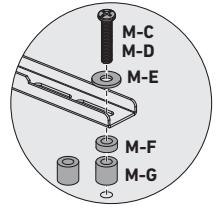
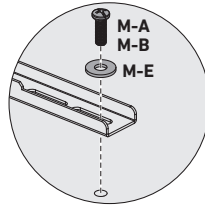
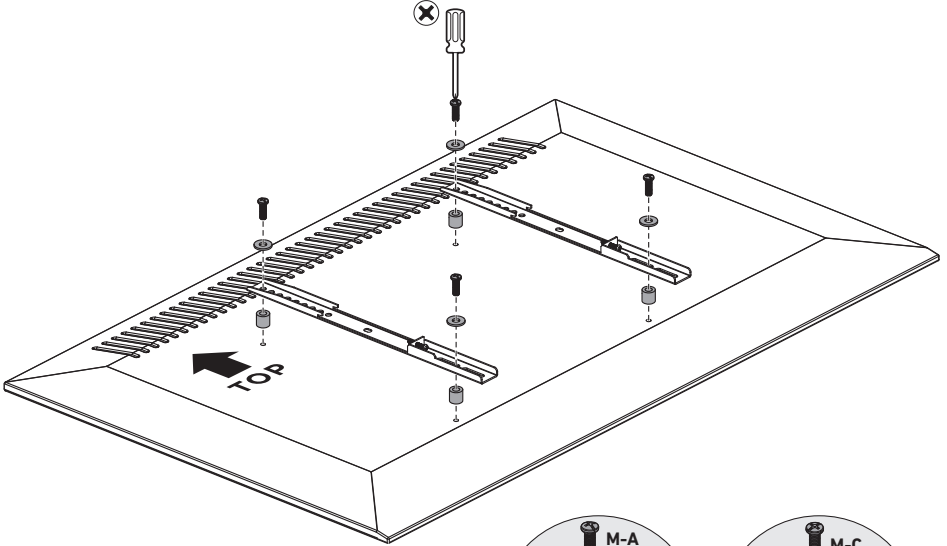
OR



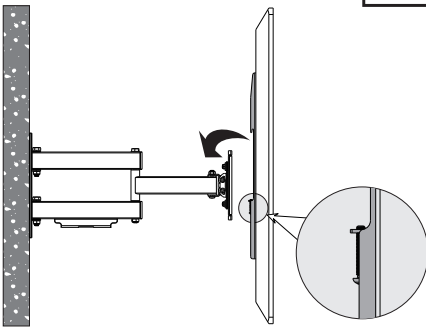
2



✗ Too long Too short



3



4

