

# Flat to Wall TV Mount

DTBF600-DL



127-216cm  
Screen Size



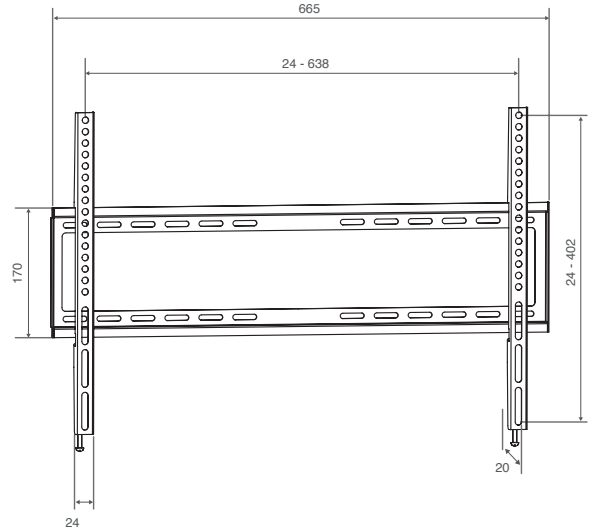
Max VESA  
Size



Max Weight  
Capacity



Distance from  
the wall



All dimensions are in mm

## Features:

- Low-profile picture frame appearance for a clean modern look
- Large wall plate gives you more screw locations to make installation easier
- Hook on design is secured with two locking screws for peace of mind
- Fine-tune the perfect position on the wall using the lateral left-right adjustment
- Save space in your room and keep the TV away from children and pets
- Confidently mount your screen with a high 60kg maximum weight limit
- Suits 50" - 85" TVs, compatible with common VESA sizes from 200x200 - 600x400
- Includes fixings for solid walls, stud walls and the TV, for convenience
- High quality steel construction with independent testing by SGS
- Reassurance of a 5 year warranty as standard



### Compatible VESA Sizes

200x200 300x200 400x200 600x400  
300x300 400x300  
400x400

## Packaging Information

Part Number	Description	Product Packaging		Outer Packaging		
		Type	Barcode	Type	Qty in box	Barcode
DTBF600-DL	Flat-to-Wall TV wall mount bracket, 50 - 85"	Colour retail box	5056335606443	Brown outer with label	10	15056335606440

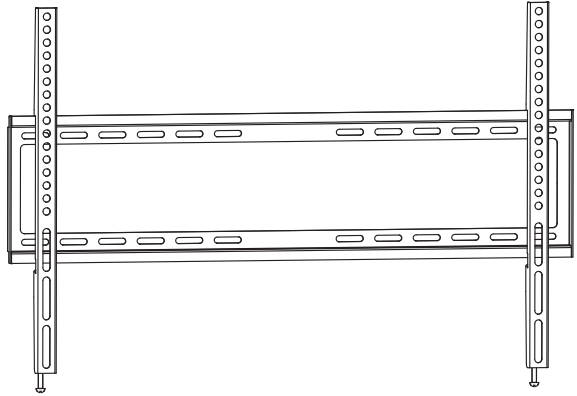
## Weights & Dimensions

Product			Product Box			Outer Box		
Extended	Folded	Net Weight	Dimensions	Gross Weight	Cubic	Dimensions	Gross Weight	Cubic
42.2 x 66.5 x 2.0 cm	n/a	1kg	17.5 x 67.0 x 2.0 cm	1.15kg	0.0023m <sup>3</sup>	69.0 x 22.0 x 19.5cm	14.1kg	0.0296m <sup>3</sup>
16.61" x 26.18" x 0.77"	n/a	2.21lbs	6.89" x 26.38" x 0.79"	2.54lbs	0.0828ft <sup>3</sup>	27.17" x 8.66" x 7.68"	31.1lbs	1.0454ft <sup>3</sup>

# Flat to Wall TV Mount

DTBF600-DL

## Instruction Manual



- EN** Tools required  
**FR** Outils nécessaires  
**ES** Herramientas necesarias  
**PT** Ferramentas necessárias  
**DE** Benötigtes Werkzeug  
**IT** Strumenti necessari



**EN** Set includes

- FR** Inclut  
**ES** Incluye  
**PT** Inclui  
**DE** Lieferumfang  
**IT** Il set include



(x1)



**W-A (x4)**  
ST6.3x55



**W-B (x4)**  
Ø10x45



**W-C (x4)**  
D6



**M-A (x4)**  
M4x14



**M-B (x4)**  
M5x14



**M-C (x4)**  
M6x14



**M-D (x4)**  
M8x15



**M-E (x4)**  
D5



**M-F (x4)**  
D8

- EN** Do not overtighten screws.  
**FR** Ne pas trop serrer les vis.  
**ES** No apriete demasiado los tornillos.

- PT** Não apertar demasiado os parafusos.  
**DE** Ziehen Sie die Schrauben nicht zu fest an.  
**IT** Non serrare eccessivamente le viti.

**EN** Locate studs using a stud finder. Check for pipes and cables.

**FR** Localisez les montants à l'aide d'un détecteur mural. Vérifier la présence de tuyaux et de câbles.

**ES** Localice las vigas con un detector de pared. Compruebe si hay tuberías o cables.

**PT** Localizar as vigas com um detector de paredes. Verificar a existência de tubos e cabos.

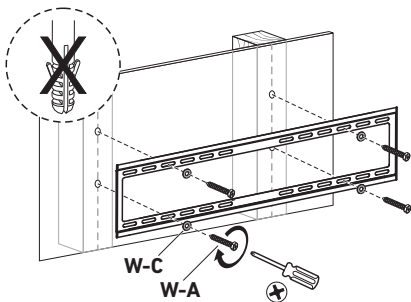
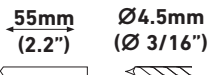
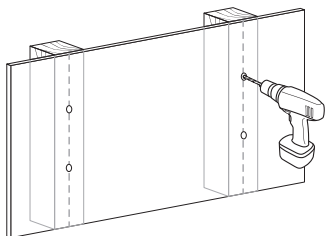
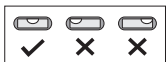
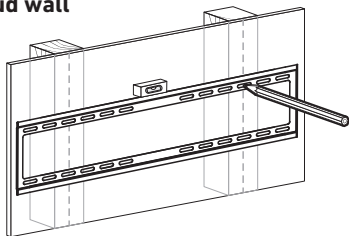
**DE** Lokalisieren Sie die Dachsparren mit einem Wanddetektor.

Überprüfen Sie das Vorhandensein von Rohren und Kabeln.

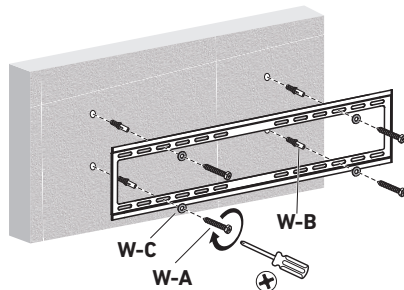
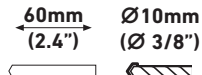
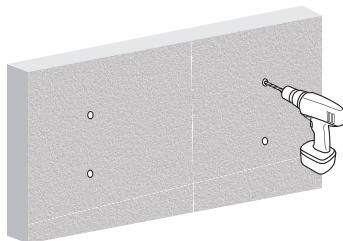
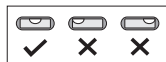
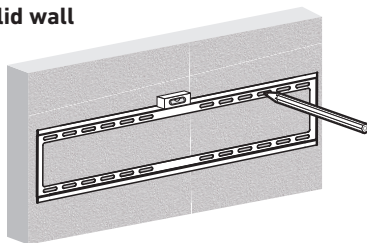
**IT** Individuare le travi con un rilevatore a parete. Verificare la presenza di tubi e cavi.



**1a Stud wall**

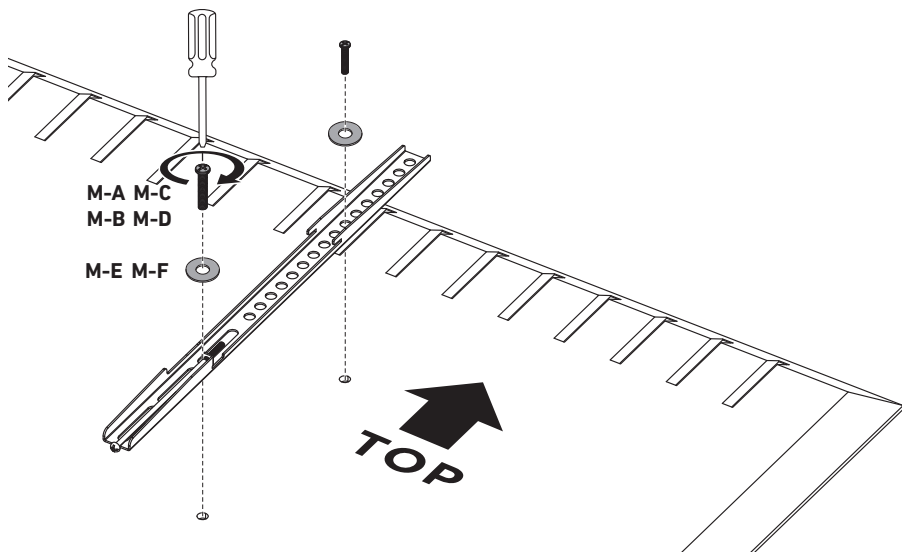


**1b Solid wall**



**OR**

2



3

