

Flat to Wall TV Mount

DTBF400-DL



81-178cm
Screen Size



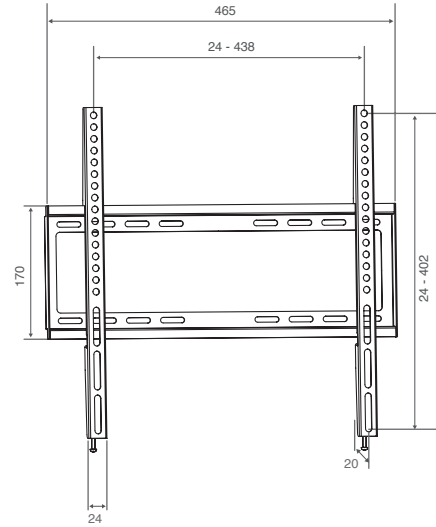
Max VESA
Size



Max Weight
Capacity



Distance from
the wall



All dimensions are in mm

Features:

- Low-profile picture frame appearance for a clean modern look
- Large wall plate gives you more screw locations to make installation easier
- Hook on design is secured with two locking screws for peace of mind
- Fine-tune the perfect position on the wall using the lateral left-right adjustment
- Save space in your room and keep the TV away from children and pets
- Confidently mount your screen with a high 60kg maximum weight limit
- Suits 32" - 70" TVs, compatible with common VESA sizes from 200x200 - 400x400
- Includes fixings for solid walls, stud walls and the TV, for convenience
- High quality steel construction with independent testing by SGS
- Reassurance of a 5 year warranty as standard



Compatible VESA Sizes

200x200	300x200	400x200
	300x300	400x300
		400x400

Packaging Information

Part Number	Description	Product Packaging		Outer Packaging		
		Type	Barcode	Type	Qty in box	Barcode
DTBF400-DL	Flat-to-Wall TV wall mount bracket, 32 - 70"	Colour retail box	5056335606436	Brown outer with label	12	15056335606433

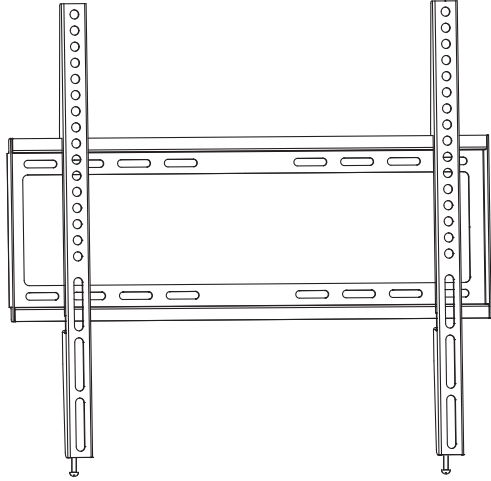
Weights & Dimensions

Product			Product Box			Outer Box		
Extended	Folded	Net Weight	Dimensions	Gross Weight	Cubic	Dimensions	Gross Weight	Cubic
42.2 x 46.5 x 2.0 cm	n/a	0.75kg	17.5 x 47.0 x 2.0 cm	0.90kg	0.0016m ³	49.0 x 26.0 x 19.5cm	12.4kg	0.0248m ³
16.61" x 18.31" x 0.77"	n/a	1.65lbs	6.89" x 18.5" x 0.79"	1.98lbs	0.0581ft ³	19.29" x 10.24" x 7.68"	27.3lbs	0.8773ft ³

Flat to Wall TV Mount

DTBF400-DL

Instruction Manual



- EN** Tools required
FR Outils nécessaires
ES Herramientas necesarias
PT Ferramentas necessárias
DE Benötigtes Werkzeug
IT Strumenti necessari



- EN** Set includes

- FR** Inclut
ES Incluye

- PT** Inclui

- DE** Lieferumfang

- IT** Il set include



(x1)



W-A (x4)
ST6.3x55



W-B (x4)
Ø10x45



W-C (x4)
D6



M-A (x4)
M4x14



M-B (x4)
M5x14



M-C (x4)
M6x14



M-D (x4)
M8x15



M-E (x4)
D5



M-F (x4)
D8

- EN** Do not overtighten screws.
FR Ne pas trop serrer les vis.
ES No apriete demasiado los tornillos.

- PT** Não apertar demasiado os parafusos.
DE Ziehen Sie die Schrauben nicht zu fest an.
IT Non serrare eccessivamente le viti.

EN Locate studs using a stud finder. Check for pipes and cables.

FR Localisez les montants à l'aide d'un détecteur mural. Vérifier la présence de tuyaux et de câbles.

ES Localice las vigas con un detector de pared. Compruebe si hay tuberías o cables.

PT Localizar as vigas com um detector de paredes. Verificar a existência de tubos e cabos.

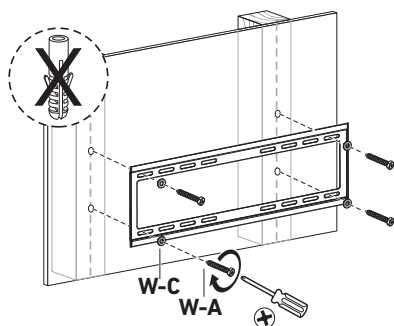
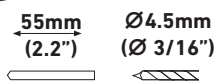
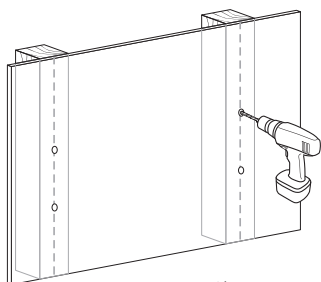
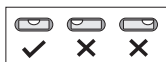
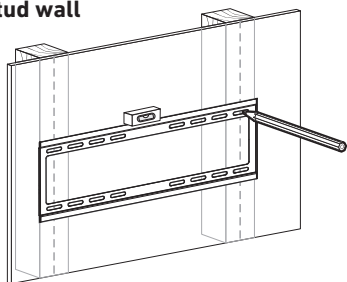
DE Lokalisieren Sie die Dachsparren mit einem Wanddetektor.

Überprüfen Sie das Vorhandensein von Rohren und Kabeln.

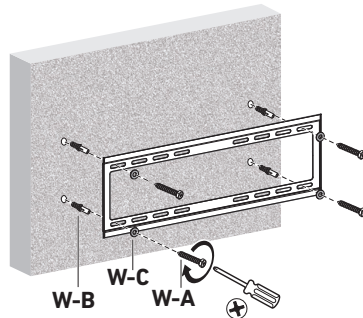
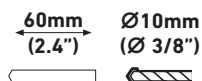
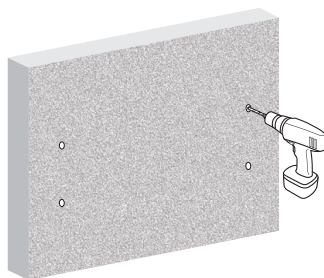
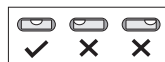
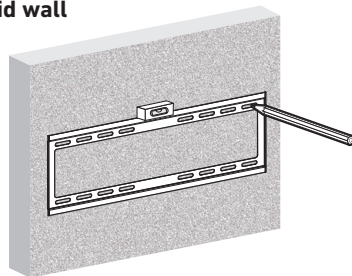
IT Individuare le travi con un rilevatore a parete. Verificare la presenza di tubi e cavi.



1a Stud wall

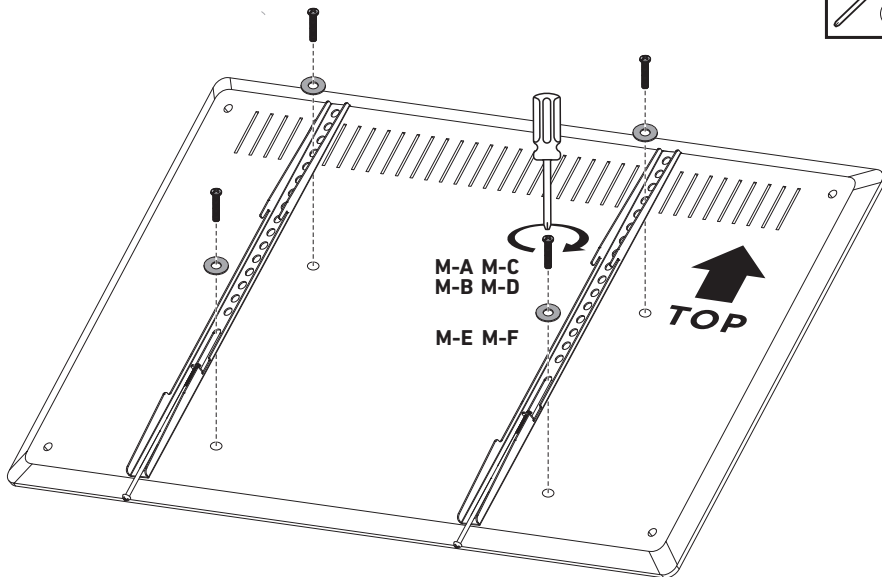


1b Solid wall



OR

2



3

