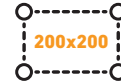


Flat to Wall TV Mount

DTBF200-DL



58-127cm
Screen Size



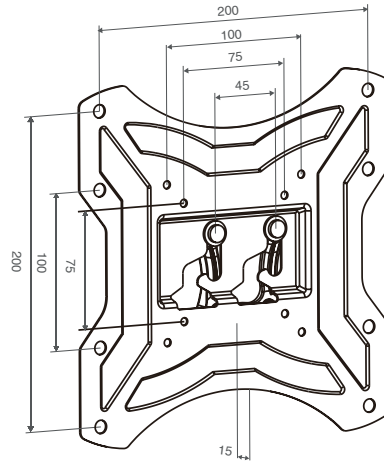
Max VESA
Size



Max Weight
Capacity



Distance from
the wall



All dimensions are in mm

Features:

- Ultra-low-profile picture frame appearance for a clean modern look
- Mounts the TV just 15mm (0.6") away from the wall to save space in your room
- Slide on installation makes mounting the TV simpler and faster
- Shaped metal plate for extra strength to reliably support your screen
- Can be used to keep a TV or monitor away from children and pets
- Confidently mount your screen with a high 25kg maximum weight limit
- Suits 23" - 50" TVs, compatible with 75x75 - 200x200 VESA sizes
- Includes fixings for solid walls, stud walls and the TV, for convenience
- High quality steel construction with independent testing by SGS
- Reassurance of a 5 year warranty as standard



Compatible VESA Sizes

- 75x75
- 100x100
- 200x100
- 200x200

Packaging Information

Part Number	Description	Product Packaging		Outer Packaging		
		Type	Barcode	Type	Qty in box	Barcode
DTBF200-DL	Flat-to-Wall TV wall mount bracket, 23 - 50"	Colour retail box	5056335606429	Brown outer with label	10	15056335606426

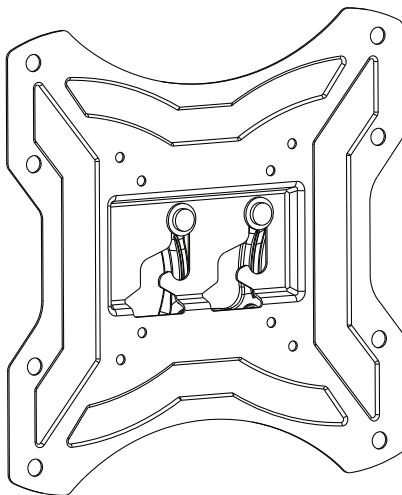
Weights & Dimensions

Product			Product Box			Outer Box		
Extended	Folded	Net Weight	Dimensions	Gross Weight	Cubic	Dimensions	Gross Weight	Cubic
23.0 x 23.0 x 1.5 cm	n/a	0.53kg	24.5 x 24.5 x 3.2 cm	0.67kg	0.0019m ³	26.5 x 26.5 x 34.0cm	8kg	0.0239m ³
9.06" x 9.06" x 0.59"	n/a	1.17lbs	9.65" x 9.65" x 1.26"	1.48lbs	0.0678ft ³	10.43" x 10.43" x 13.39"	17.6lbs	0.8432ft ³

Flat to Wall TV Mount

DTBF200-DL

Instruction Manual



EN Tools required
FR Outils nécessaires
ES Herramientas necesarias
PT Ferramentas necessárias
DE Benötigtes Werkzeug
IT Strumenti necessari



EN Set includes

FR Inclut
ES Incluye
PT Inclui
DE Lieferumfang
IT Il set include



(x1)



W-A (x2)
ST5.5x50



W-B (x2)
Ø10x45



W-C (x2)



M-A (x4)
M4x12



M-B (x4)
M4x25



M-C (x4)
M6x12



M-D (x4)
M6x25



M-E (x4)
M8x12



M-F (x4)
M8x25



M-G (x4)



M-H (x4)

EN Do not overtighten screws.
FR Ne pas trop serrer les vis.
ES No apriete demasiado los tornillos.

PT Não apertar demasiado os parafusos.
DE Ziehen Sie die Schrauben nicht zu fest an.
IT Non serrare eccessivamente le viti.

EN Locate studs using a stud finder. Check for pipes and cables.

FR Localisez les montants à l'aide d'un détecteur mural. Vérifier la présence de tuyaux et de câbles.

ES Localice las vigas con un detector de pared. Compruebe si hay tuberías o cables.

PT Localizar as vigas com um detector de paredes. Verificar a existência de tubos e cabos.

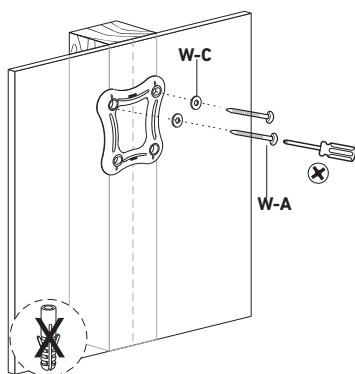
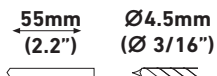
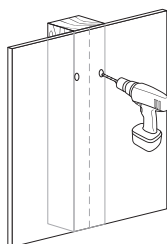
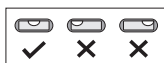
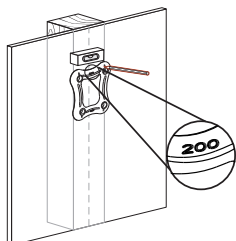
DE Lokalisieren Sie die Dachsparren mit einem Wanddetektor.

Überprüfen Sie das Vorhandensein von Rohren und Kabeln.

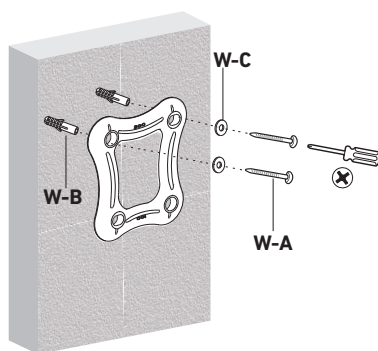
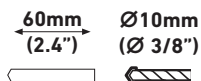
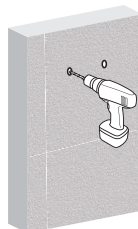
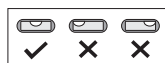
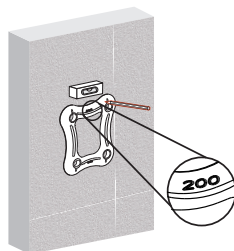
IT Individuare le travi con un rilevatore a parete. Verificare la presenza di tubi e cavi.



1a Stud wall



1b Solid wall

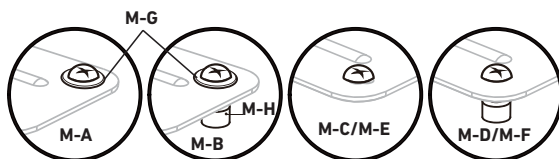
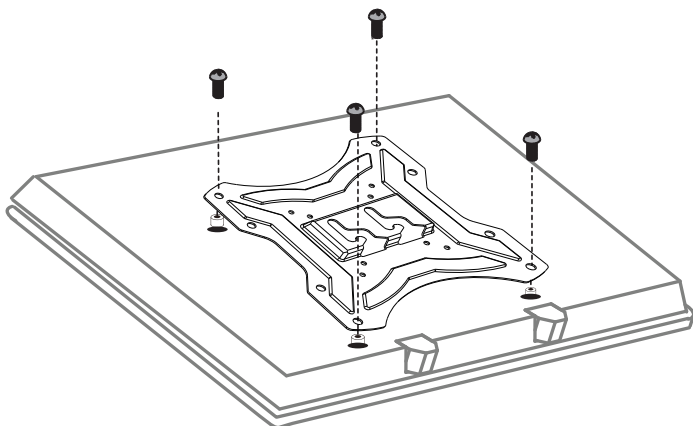


OR

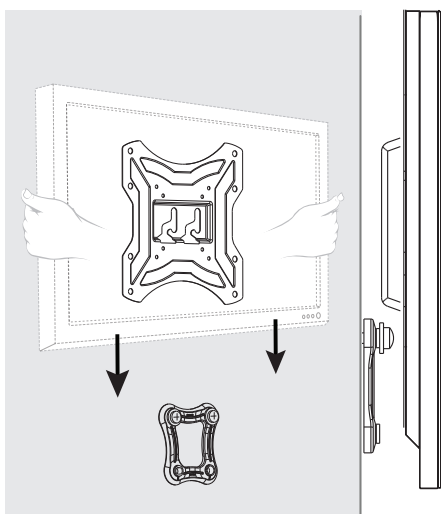
2



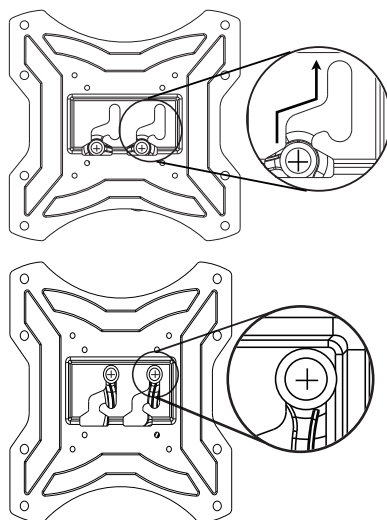
✗ Too long ✗ Too short



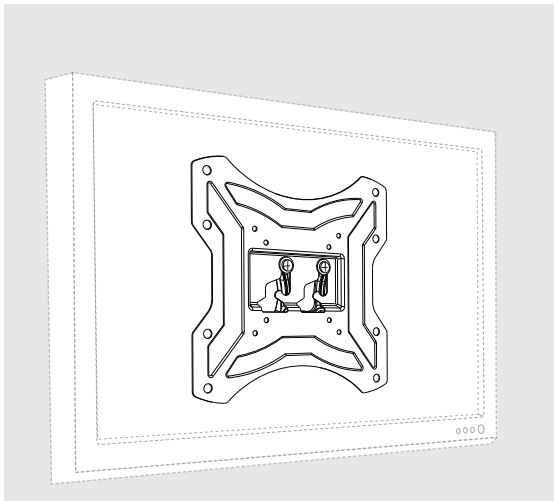
3



4



5



0000